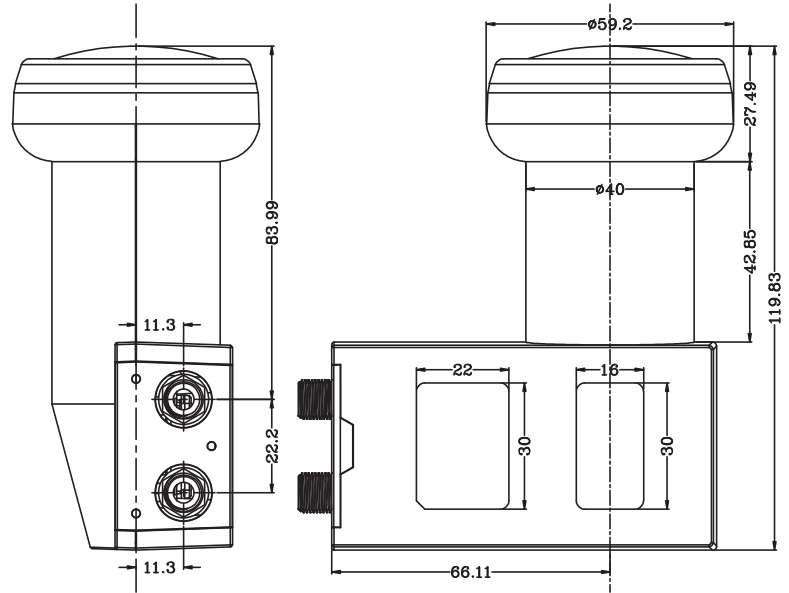


SRT L725HD TWIN Universal Digital LNBF



| Item | Units | Specifications | | | Notes & Test Conditions |
|------------------------------------|-----------------|----------------|-------------------|--------|---|
| | | Min. | Typical | Max. | |
| Input Freq. Range | Low-Band (H) | GHz | 10.7 | 11.7 | Linear feed horn optimized to offset dish F/D 0.6. |
| | High-Band (H) | GHz | 11.7 | 12.75 | |
| Output Freq. Range | Low-Band (H) | MHz | 950 | 1950 | |
| | High-Band (H) | MHz | 1100 | 2150 | |
| Output VSWR | Ratio | | 2.0:1 | | |
| Output Connector Type | | | 2 x 75ohms Female | | Zinc + Ni coating |
| Local Oscillator Freq. | Low-Band (H) | GHz | 9.75 | | |
| | High-Band (H) | GHz | 10.60 | | |
| Local Oscillator Temperature Drift | | +/- MHz | | +/-2.0 | Initial accuracy (@30°C) |
| | | +/- MHz | | +/-3.0 | -30~+60°C |
| Phase Noise Performance | @ 1KHz offset | dBc / Hz | -55 | | |
| | @ 10KHz offset | dBc / Hz | -75 | | |
| | @ 100KHz offset | dBc / Hz | -90 | | |
| Noise Figure | dB | | 0.7 | 1.0 | @25°C |
| Conversion Gain | dB | | | 65 | @25°C |
| Gain Flatness Characteristics | | dB | +/-0.5 | | @26MHz |
| | | dB | 7.5 | | Over full band |
| 1 dB Compression | | | 0 | | |
| In-Band Spurious | dBm | | | -60 | |
| Inter-modulation (1.2, 1.8GHz) | dBm | | | -58 | |
| Cross Pol. Isolation | dB | 20 | | 25 | |
| Current Consumption | mA | | | 150 | |
| Supply Voltage & Control Signals | V | 12 | | 20 | Linear regulator V: Min 12VDC Max 14.5VDC H: Min 16VDC Max 20VDC 0/22KHz |
| Hardware | | | | | Aluminum die-cast body + ABS plastic |
| Operating Temperature | °C | -30 | | +70 | |
| Storage Temperature | | -30 | | +80 | |