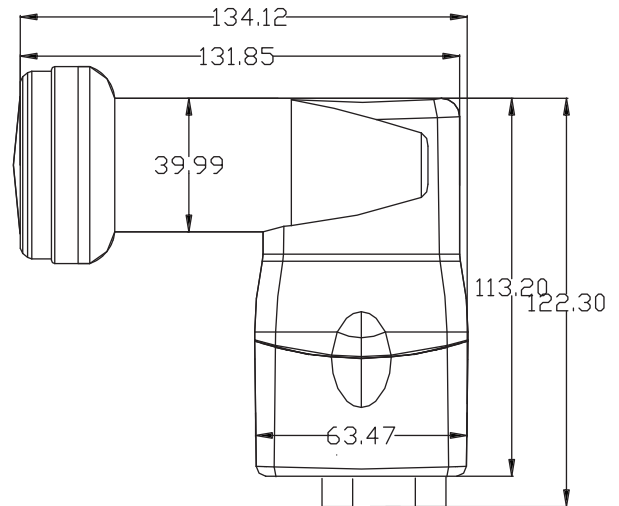
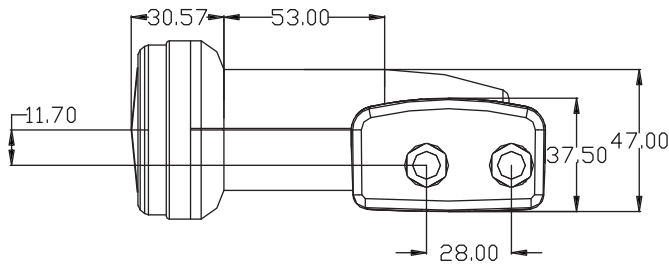


SRTL726 Twin Universal Digital LNBF



Item	Units	Specifications			Note & Test Condition	
		Min.	Typical	Max.		
Input Frequency Range	Low-Band	GHz	10.7	-	11.7	
	High-Band	GHz	11.7	-	12.75	
Polarization	-	-	Linear V/H			
Output Frequency Range	Low-Band	MHz	950	-	1950	
	High-Band	MHz	1100	-	2150	
Output VSWR	Ratio	-	2.0	1	-	@ 950 ~ 2150 MHz
Output Connector Type	-	-	75Ohms-Female F Connector x 2			
Local Oscillator Frequency	Low-Band	GHz		9.75		
	High-Band	GHz		10.60		
Local Oscillator Stability	+ / - MHz				+ / - 3.0	@ -30 °C ~ +60 °C
Phase Noise Performance	@ 1KHz	dBc / Hz		-65	-50	@ Ta = 25°C
	@ 10KHz	dBc / Hz		-83	-75	
	@ 100KHz	dBc / Hz		-95	-90	
Conversion Gain	dB	-	55		63	
Gain Flatness Over Full Band	dB p-p			5		
Gain Flatness @ Any 26MHz Bandwidth	dB p-p			+ / - 0.5	+ / - 0.75	
Output Spurious	dBm		-60			
Noise Figure	dB			0.8		
Cross Polarization Isolation	dB		20	25		
Image Rejection	dB		40	45	-	
DC Current Consumption	mA		-	120	140	
Operating Voltage and Band Switching	Vertical	VDC	11.50	-	14.0	
	Horizontal	VDC	16.0	-	19.0	
	Low - Band	KHz	0			
	High - Band	KHz	18	22	26	
Operation Temperature	°C		-30°C	-	60°C	≤95%
Storage Temperature			-55°C	-	80°C	