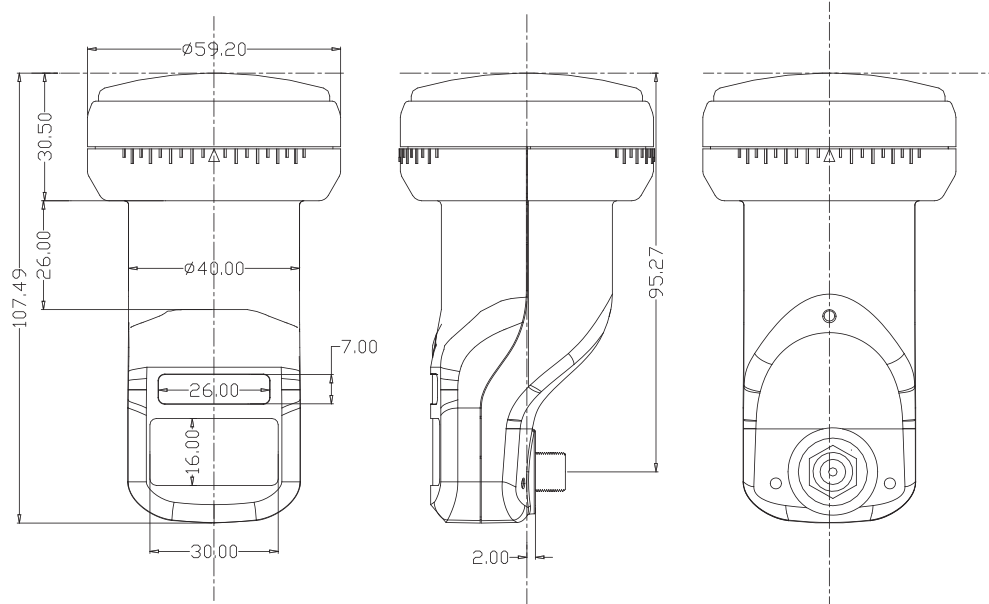


SRTL736

Single Universal Digital LNBF



Input Freq. Range	Low - Band	GHz	10.7	-	11.7	
	High - Band	GHz	11.7	-	12.75	
Polarization	-	-	Linear V/H			
Output Freq. Range	Low - Band	MHz	950	-	1950	
	High - Band	MHz	1100	-	2150	
Output VSWR		Ratio	-	2.0 : 1	-	@ 950 ~ 2150 MHz
Output Connector Type			75ohms Female F- Connector			
Local Oscillator Freq.	Low - Band	GHz	9.75			
	High - Band	GHz	10.60			
Local Oscillator Stability		+ / - MHz			+ / - 3.0	@ - 30 °C ~ + 60°C
Phase Noise Performance	@ 1KHz	dBc / Hz	-65			@ Ta = 25°C
	@ 10KHz	dBc / Hz	-83			
	@ 100KHz	dBc / Hz	-95			
Conversion Gain		dB		55	63	
Gain Flatness Over Full Band		dB p-p	5			
Gain Flatness @ Any 26MHz Bandwidth		dB p-p		+ / - 0.5	+ / - 0.75	
Output spurious		dBm	-60			
Noise Figure		dB	0.8			
Cross Pol. Isolation		dB	20	25		
Image Rejection		dB	40	45	-	
1dB Compression Point (Two Tones)		dBm		5	-	@ Two Tones Condition
DC Current Consumption		mA	-	100	110	
Operating Voltage and Band Switching	Vertical	VDC	11.50	-	14.0	
	Horizontal	VDC	16.0	-	19.0	
	Low - Band	KHz	0			
	High - Band	KHz	18	22	26	
Input Slection		Tone Burst / DiSEQC 2.0				
Operation Temperature		C	-30	-	60	@ Relative Humidity 95%
Storage Temperature		C	-55		80	