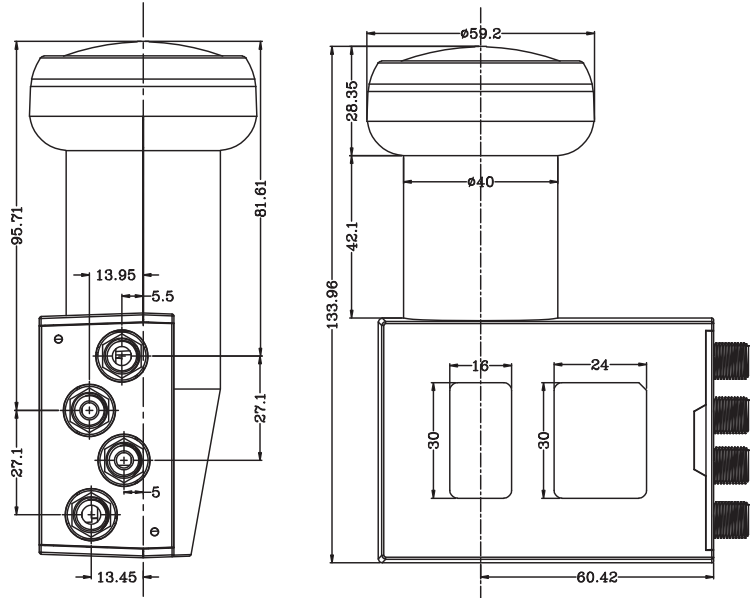


SRT L755HD Quad Universal Digital LNBF



Item	Units	Specifications			Notes & Test Conditions
		Min.	Typical	Max.	
Input Freq. Range	Low-Band (H)	GHz	10.7	11.7	Linear feed horn optimized to offset dish F/D 0.6.
	High-Band (H)	GHz	11.7	12.75	
Output Freq. Range	Low-Band (H)	MHz	950	1950	
	High-Band (H)	MHz	1100	2150	
Output VSWR	Ratio		2.0:1		
Output Connector Type			4 x 75ohms Female		Zinc + Ni coating
Local Oscillator Freq.	Low-Band (H)	GHz	9.75		
	High-Band (H)	GHz	10.60		
Local Oscillator Temperature Drift		+/- MHz		+/-2.0	Initial accuracy (@30°C)
		+/- MHz		+/-3.0	-30 ~ +60°C
Phase Noise Performance	@ 1KHz offset	dBc / Hz		-55	
	@ 10KHz offset	dBc / Hz		-75	
	@ 100KHz offset	dBc / Hz		-100	
Noise Figure	dB		0.7	1.0	@25°C
Conversion Gain	dB	55		65	@25°C
Gain Flatness Characteristics	dB		+/-0.5		@26MHz
	dB		7.5		Over full band
1 dB Compression		0			
In-Band Spurious	dBm			-60	
Inter-modulation (1.2, 1.8GHz)	dBm			-58	
Cross Pol. Isolation	dB	20		25	
Current Consumption	mA			160	
Supply Voltage & Control Signals	V	12		20	Linear regulator V: Min 12VDC Max 14.5VDC H: Min 16VDC Max 20VDC 0/22KHz
Hardware					Aluminum die-cast body + ABS plastic
Operating Temperature	°C	-30		+70	
Storage Temperature		-30		+80	