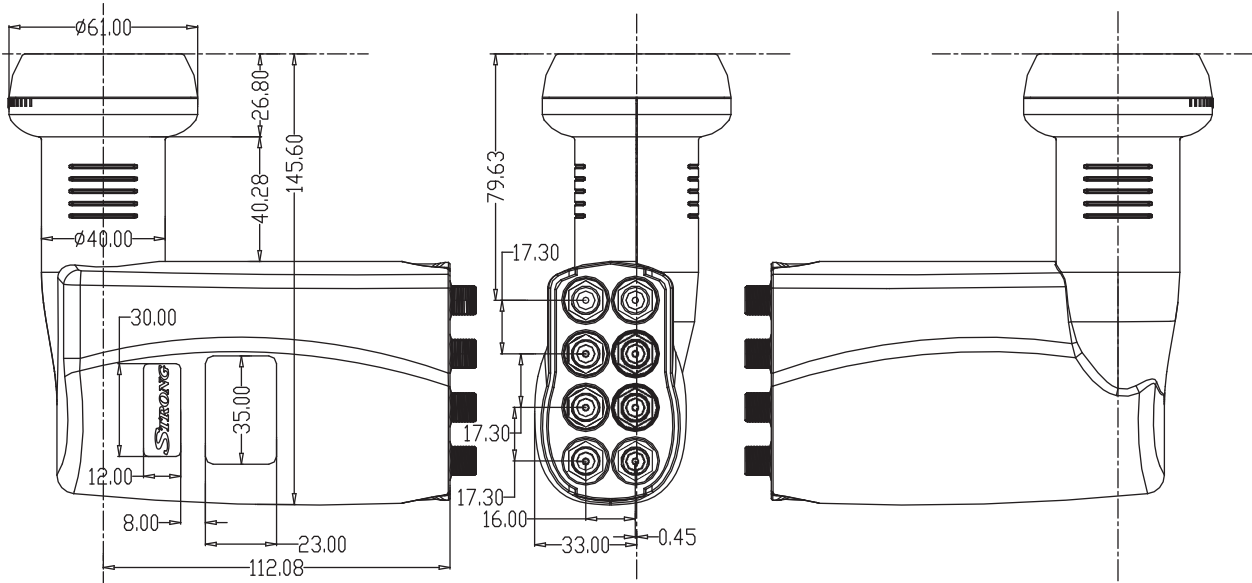


SRTL786 Octo Universal Digital LNBF



Item	Units	Specification			Note & Test Condition	
		Min.	Typical	Max.		
Input Freq. Range	Low - Band	GHz	10.7	-	11.7	
	High - Band	GHz	11.7	-	12.75	
Polarization	-	-	Linear V/H			
Output Freq. Range	Low - Band	MHz	950	-	1950	
	High - Band	MHz	1100	-	2150	
Output VSWR		Ratio	-	2.0 : 1	-	@ 950 ~ 2150 MHz
Output Connector Type		-	75 Ohms Female F- Connector x 4			
Local Oscillator Freq.	Low - Band	GHz		9.75		
	High - Band	GHz		10.60		
Local Oscillator Stability		+ / - MHz			+ / - 3.0	@ - 30 °C ~ + 60°C
Phase Noise Performance	@ 1KHz	dBc / Hz		-65	-50	@ Ta = 25°C
	@ 10KHz	dBc / Hz		-83	-75	
	@ 100KHz	dBc / Hz		-95	-90	
Conversion Gain		dB	-	55	63	
Gain Flatness Over Full Band		dB p-p		5		
Gain Flatness @ Any 26MHz Bandwidth		dB p-p		+ / - 0.5	+ / - 0.75	
Output spurious		dBm	-60			
Noise Figure		dB		0.8		
Cross Pol. Isolation		dB	20	25		
Image Rejection		dB	40	45	-	
1dB Compression Point (Two Tones)		dBm		5	-	@ Two Tones Condition
DC Current Consumption		mA	-	180	200	
Operating Voltage and Band Switching	Vertical	VDC	11.50	-	14.0	
	Horizontal	VDC	16.0	-	19.0	
	Low - Band	KHz	0			
	High - Band	KHz	18	22	26	
Operation Temperature		C	-30	-	60	@ Relative Humidity 95%
Storage Temperature		C	-55		80	